

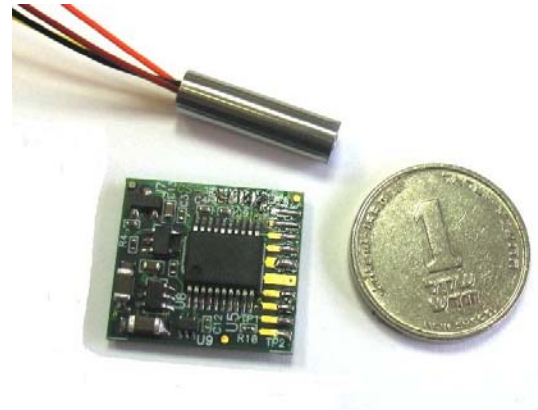
# Position Sensor kit - LVDT model UM-1.0 with signal conditioner model EL-45



The system includes one UM-1.0 LVDT and a signal conditioner board model EL-45.

UM-1.0 is layer wound on a stainless steel coil form, providing high quality and rugged position sensor. Featuring small radial clearance between case hole and core, serving as an optional linear bearing. Encapsulation and shielding make it environmentally resistant.

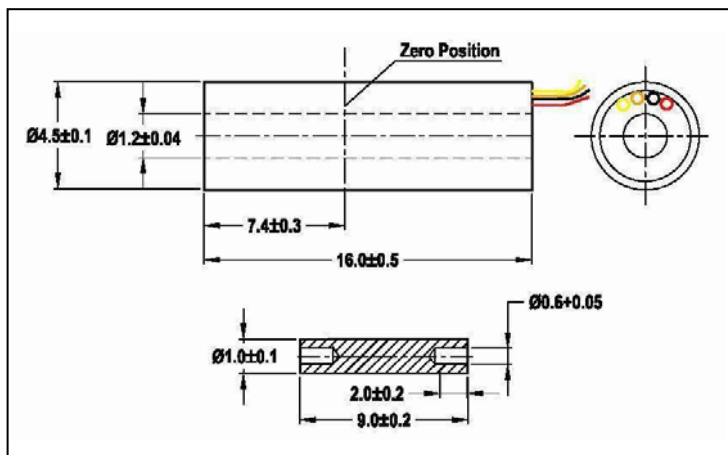
EL-45 is a miniature digital LVDT signal conditioner, featuring single +5V power supply, dual digital output: I2C and RS232, on board temperature sensor and compensation system, non-linearity error correction software.



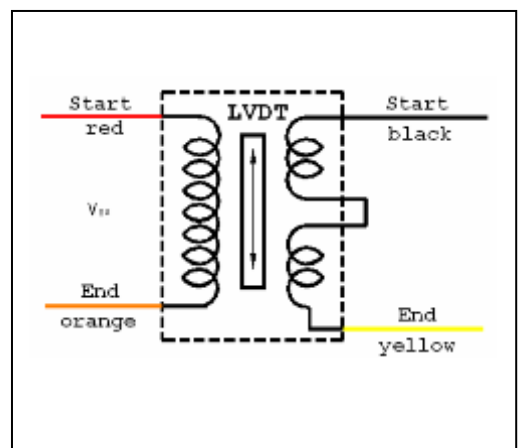
## SPECIFICATIONS

Linearity Error	5 microns typical using polynomial correction 20 microns typical without polynomial correction
Total error, over +10°C to +50°C (using polynomial correction and temperature charts)	15 microns Typical
Operating temperature	-20°C to +70°C
Storage temperature	-25°C to +85°C
Vibration survival	20g, 10 to 2,000 Hz
Shock survival	100g, 0.5ms

## DIMENSIONS



## WIRING



Rev. B © Singer Instruments & Control Ltd., 2012

WWW.SINGER-INSTRUMENTS.COM

Information furnished by Singer Instruments & Control is believed to be accurate and reliable. However, no responsibility is assumed by Singer Instruments & Control for its use, nor for any infringements of patents or other rights of third parties which may result from its use. No license is granted by implication or otherwise under any patent or patent rights of Singer Instruments & Control Ltd.

**Singer Instruments & Control Ltd.**

2 Yozma St., Tirat Carmel 39032, ISRAEL  
yuval@singer-instruments.com

Tel: 972-4-857-8880  
Fax: 972-4-857-8881