

AC-LVDT Position Sensor Model UM-1.0



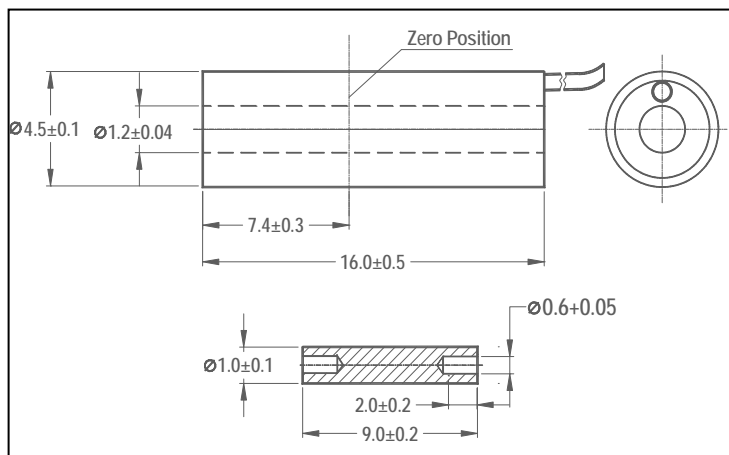
This UM-1.0 AC-LVDT is layer wound on a stainless steel coil form, providing high quality and rugged position sensor. Featuring small radial clearance between case hole and core, serving as an optional linear bearing. Encapsulation and shielding make it environmentally resistant.



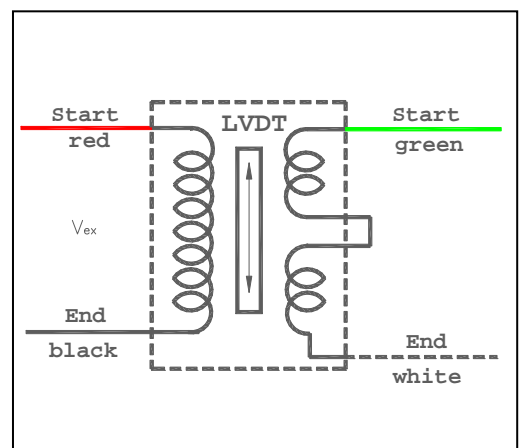
SPECIFICATIONS

Range (mm)	±1.0
Linearity Error	5 microns typical using polynomial correction 20 microns typ. without polynomial correction
Total error, over +10°C to +50°C (using polynomial correction and temperature charts)	15 microns Typ.
Resolution	Better than 1 micron
Excitation voltage, nominal	3Vrms @ 5KHz
Operating temperature	-20°C to +70°C
Storage temperature	-25°C to +85°C
Vibration survival	20g, 10 to 2,000 Hz
Shock survival	100g, 0.5ms
Lead wires	Shielded 4 Wires Cable, 200 mm long

DIMENSIONS



WIRING



Rev. F

© Singer Instruments & Control Ltd., 2012

WWW.SINGER-INSTRUMENTS.COM

Information furnished by Singer Instruments & Control is believed to be accurate and reliable. However, no responsibility is assumed by Singer Instruments & Control for its use, nor for any infringements of patents or other rights of third parties which may result from its use. No license is granted by implication or otherwise under any patent or patent rights of Singer Instruments & Control Ltd.

Singer Instruments & Control Ltd.

2 Yozma St., Tirat Carmel 39032, ISRAEL
yuval@singer-instruments.com

Tel: 972-4-857-8880
Fax: 972-4-857-8881