

AC-LVDT Position Sensors S and M Series

The S and M series of AC-LVDT's are high quality position sensors. While other LVDT's in the market use random winding on plastic coil forms, all our sensors feature ordered layer winding on metal coil forms, providing higher accuracy and stability. Encapsulation and shielding make them environmentally resistant. The S model is particularly fit for industrial environments requiring moderate accuracy, but where ruggedness, price and reliability are paramount. The M model with its small size and high linearity is ideal for research and laboratory applications.



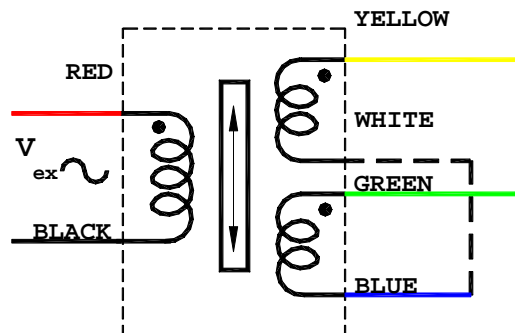
SPECIFICATIONS

	MODEL S	MODEL M
RANGES (mm)	±2.5 to +/-250	±0.5 to +/-25
LINEARITY	0.25%FR typ. (1)	0.15%FR typ.
RESOLUTION	Virtually infinite	
EXCITATION, NOMINAL	5Vrms @ 2.5KHz	5Vrms @ 5KHz
RANGE	0 TO 10Vrms @ 0.4 to 20KHz	
OPERATING TEMPERATURE (°C)	-30 to 90	
STORAGE TEMPERATURE (°C)	-55 to 110	
VIBRATION	20g, 10 to 2,000 Hz	
SHOCK	500g, 11ms	
HOUSING MATERIAL	Stainless Steel, 400 series	Nickel alloy
LEAD WIRES	#28 AWG, 300 mm long Plated stranded copper wire, teflon insulated	#30 AWG, 300 mm long Plated stranded copper wire, teflon insulated

(1) Except 0.5%FR for the S10 model

WIRING

Wired for differential output



Rev. E

© Singer Instruments & Control Ltd., 2012

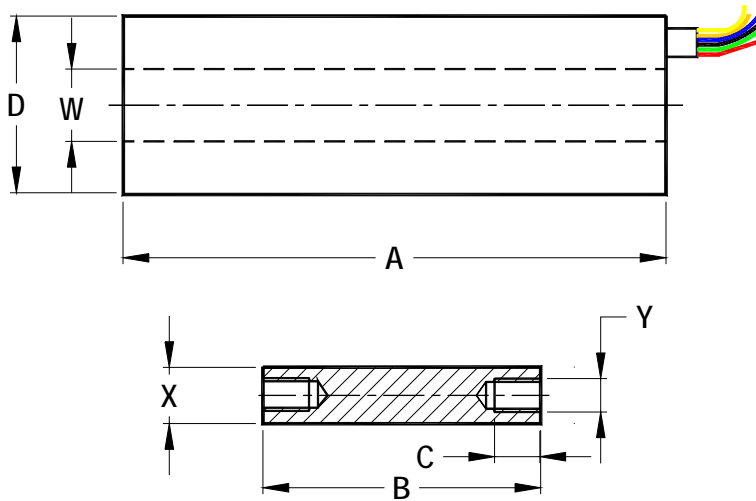
WWW.SINGER-INSTRUMENTS.COM

Information furnished by Singer Instruments & Control is believed to be accurate and reliable. However, no responsibility is assumed by Singer Instruments & Control for its use, nor for any infringements of patents or other rights of third parties which may result from its use. No license is granted by implication or otherwise under any patent or patent rights of Singer Instruments & Control Ltd.

Singer Instruments & Control Ltd.

2 Yozma St., Tirat Carmel 39032, ISRAEL
yuval@singer-instruments.com

Tel: 972-4-857-8880
Fax: 972-4-857-8881



COMMON DIMENSIONS (mm)

	MODEL S	MODEL M
D	19.0	9.5
W	7.7	3.75
X	6.0	2.8
Y	M3x0.5	M2x0.4
C	10 min	8 min

PERFORMANCE AND DIMENSIONS S Series @ 2.5 KHz
M Series @ 5 KHz

MODEL	RANGE (mm)	LINEARITY (% F.R.)	SCALE FACTOR ($V_{out}/mm/V_{ex}$)	IMPEDANCE (Ohm)		WEIGHT (gram)		A (mm)	B (mm)
				Z_{in}	Z_{out}	Body	Core		
S.1	±2.5	±0.15	0.100	500	500	50	4	36	20
S.2	±5.0	±0.10	0.045	1000	800	70	8	61	43
S.5	±12.5	±0.20	0.035	700	900	125	14	109	74
S1	±25.0	±0.25	0.030	500	700	170	16	150	84
S2	±50	±0.20	0.015	500	800	315	30	275	162
S5	±125.0	±0.25	0.005	850	750	650	55	570	295
S10	±250.0	±0.50	0.003	900	800	1050	105	1100	560
M.02	±0.5	±0.10	0.25	300	250	4	0.3	13	9.5
M.05	±1.25	±0.10	0.16	420	220	6	0.5	20	14.5
M.1	±2.5	±0.15	0.13	650	350	9	0.7	28	19.6
M.2	±5.0	±0.10	0.08	1200	1000	15	1.3	51	35.0
M.5	±12.5	±0.10	0.033	2500	500	26	2.0	86	56.0
M1	±25.0	±0.15	0.02	3500	800	37	2.6	125	72.0

Rev. E

© Singer Instruments & Control Ltd., 2012

WWW.SINGER-INSTRUMENTS.COM

Information furnished by Singer Instruments & Control is believed to be accurate and reliable. However, no responsibility is assumed by Singer Instruments & Control for its use, nor for any infringements of patents or other rights of third parties which may result from its use. No license is granted by implication or otherwise under any patent or patent rights of Singer Instruments & Control Ltd.

Singer Instruments & Control Ltd.

2 Yozma St., Tirat Carmel 39032, ISRAEL
yuval@singer-instruments.com

Tel: 972-4-857-8880
Fax: 972-4-857-8881