

AC-LVDT Position Sensor Model M-0.5



The M-0.5 LVDT position sensor is ideal for high resolution measurements, up to 0.1 microns.

Being an AC LVDT it needs a signal conditioner to operate, such as LVDT Signal Conditioner model EL-10 or LVDT Signal Conditioner model EL-15, or LVDT Control Box CB-100 Series, or USB-10 Unit, manufactured by Singer Instruments & Control.

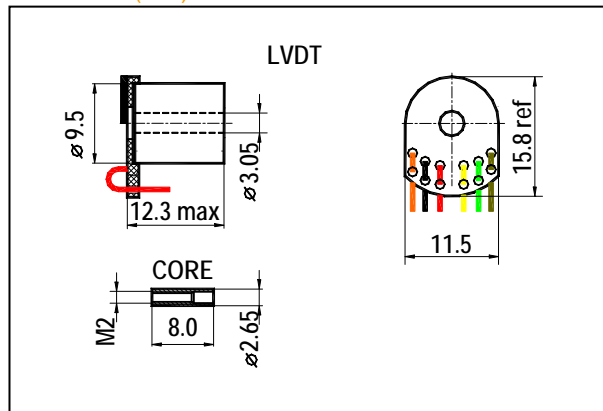
Different versions of this LVDT can be manufactured by request.

Specifications

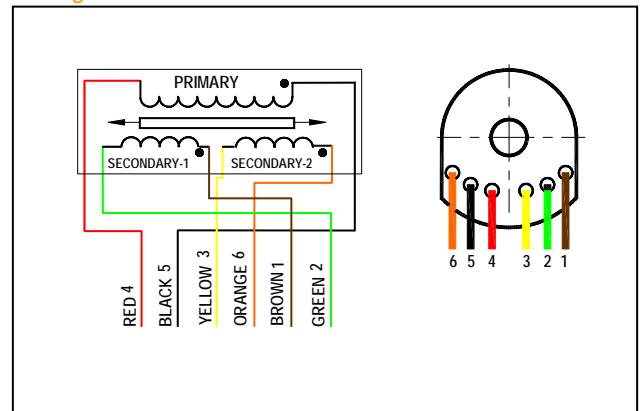
Input voltage	3V rms (nominal)
Frequency range	50 to 10000 Hz range @ 5kHz (nominal)
Linearity deviation error	0.15% F. R.
Operating temperature range	-20°C to + 70°C
Shock Survival	500g for 11 msec
Vibration tolerance	20 g up to 500 Hz
Lead wires	6 wires, 300 mm long
Weight	6 grams



Dimensions (mm)



Wiring



Notes

LVDT installations require a connecting rod between the LVDT core and the object whose motion is being measured. This connecting rod must be made of non-magnetic stainless steel (for example AISI 304)

How to order

Ordering example:
Model number: M – 0.5 (supplied with core)

TYPE	Linear Range mm	Sensitivity (tested at 5kHz) V/mm/Vex	Resistance Ω		Impedance (tested at 5kHz) Ω	
			Prim.	Sec.	Prim.	Sec.
M-0.5	±0.5	0.25	190	190	630	500