

LOW RANGE FORCE SENSORS, Models F AND FD

Tension/compression gram – range sensors of LVDT type with unique features:

- ❖ High accuracy, infinite resolution.
- ❖ Fast response, 20 ms with full load.
- ❖ High level / low impedance output.
- ❖ High overload capability, miniature size.
- ❖ Insensitive to supply & load fluctuation.



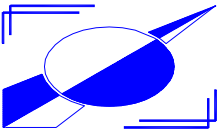
Some typical applications:

- ❖ Measurement of drag, forces in aero / hydrodynamic models.
- ❖ Testing of instruments elastic suspension (springs, diaphragms, etc.).
- ❖ Measurement of bonding forces and thin wire strength.
- ❖ High speed check – weighing (food, pharmaceuticals, precious metals).

Specification	FD Series	F Series
Ranges	±5, ±10, ±50, ±100, ±250 grams F. R.	
Input	±15VDC ±10% @ 5mA	6V _{RMS} @ 5KHz
Output	±1 to ±5±VDC F. R.	25 to 50mV/V F. R.
Output impedance	<10 Ω	1.5KΩ
Non – linearity error	0.05% FR typ.	
Step response	20ms with full scale weight	
Overload capability	500 to 1,000%, depending on range	
Temperature range	-30 to +90 °C	
T. C. of Scale Factor	0.03%/°C typ. (10 to 50 °C)	
T. C. of Zero	0.02%FR/°C typ. (10 to 50 °C)	

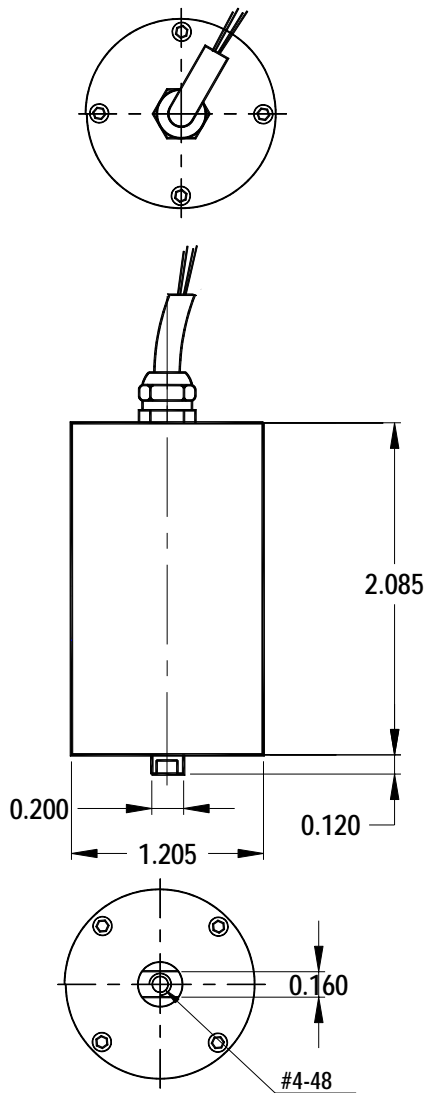
Ordering information.

For F series specify measuring range e. g.: F5 for a ±5 grams AC sensor. For FD series specify range and output, e. g.: F D 50-5 for a ±50 grams. ±5 VFR output sensor. If not specified. full scale output will be ±2 VDC.

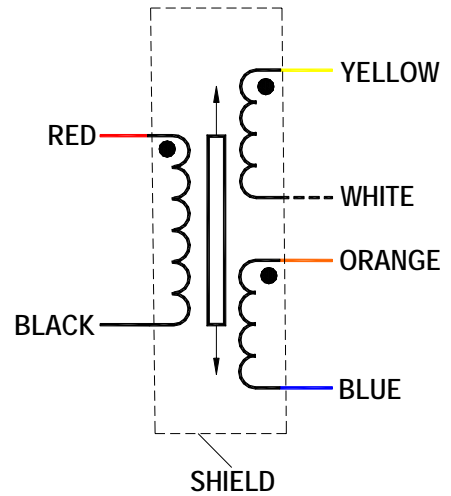


FORCE SENSOR MODELS F & FD

WIRING



MODEL F



MODEL FD

