

# Tension-Compression Load-Cell, LC-DC Series



The LC series force transducer is an LVDT type, featuring practically unlimited life time, making it suitable for fast automatic weighing machines. Internal springs construction include damping properties, thus limiting overshoot. And shortening the response time.

LC-DC series LOAD-CELL includes an LVDT and a signal conditioner, thus performing as a DC In, DC Out transducer.

## Specifications:

<b>Measuring range</b> .....	1 Kg. (LC-1DC); 2 Kg. (LC-2DC); 5 Kg. (LC-5DC); 10 Kg. (LC-10DC);
<b>Measuring frequency</b> .....	DC to 20 Hz
<b>Linearity</b> .....	0.15% F. S.
<b>Hysteresis error</b> .....	0.02% F. S.
<b>Output</b>	
<b>Voltage</b> .....	±5.5 Volt DC max
<b>Current</b> .....	25mA (typical)
<b>Sensitivity</b> .....	5mVDC / 1gr. max
<b>Power supply requirements</b>	±12 VDC unregulated, @ 30mA at no load
<b>Deflection</b> .....	0.1 mm typ.
<b>Overload capability</b> .....	200% to 1000%, depending on range
<b>Side load capability</b> .....	100% typ.
<b>T.C. of sensitivity</b> .....	0.01% / °C typ.
<b>T.C. of zero</b> .....	0.01% FS / °C typ.
<b>Operating temperature range</b> .....	
	0°C to + 70°C
<b>Shock Survival</b> .....	500g for 11 msec
<b>Vibration Survival</b> .....	20 g up to 500 Hz
<b>Warm up time</b> .....	10 minutes
<b>Lead wires</b> .....	Shielded 4 Wire Cable. 800 mm long
<b>Housing material</b> .....	Anodized Aluminum alloy
<b>Weight</b> .....	600 grams

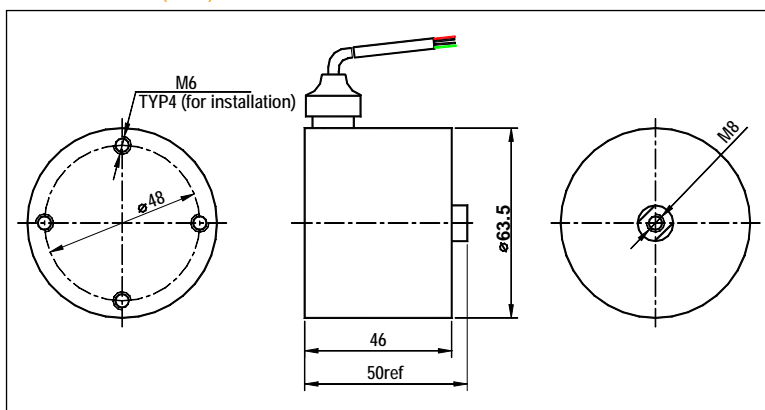


## How to order

Ordering example:

Model number: LC - 1DC. (for measuring range 1kg )

## Dimensions (mm):



## Wiring

RED	+12V
BLACK	-12V
WHITE	COM
GREEN	OUT