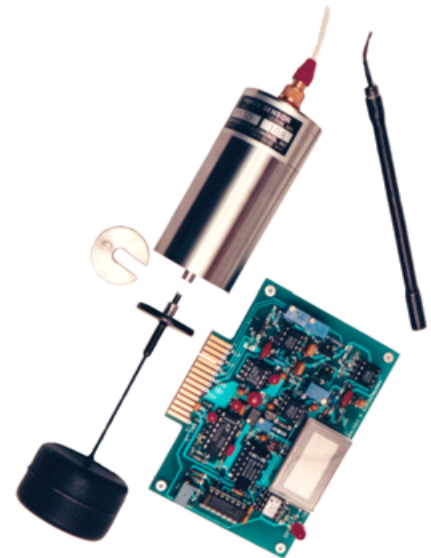


LIQUID DENSITY TRANSDUCERS, Models SG & SGB.

The SG and SGB models are specific gravity transducers for liquids. They provide a continuous output by using a small float immersed in the liquid. A force sensor measures the effective weight of the float, which is a linear function of the liquid density. The sensor is connected to a board containing the signal conditioning circuitry and digital readout. An optional temperature sensor immersed in the liquid can be used to compensate for the temperature effect on the density. On – board trimmers are provided to adjust span, zero and temperature compensation. Model SG uses an LVDT force transducer for moderate accuracy. Model SGB uses a servo type force sensor for a higher level of accuracy.



Some of the important characteristics:

- ❖ On–line testing, no need for sampling.
- ❖ Small size.
- ❖ Local or remote signal conditioning.
- ❖ Simple calibration using weights.
- ❖ Low power consumption.

Specification	Model SG	Model SGB
Measuring range (gram/cc)	0.8 to 1.2	0.2 to 2
Accuracy (at constant temperature)	±0.001	±0.0001
Temperature sensitivity (1/°C)	±0.0001typ	±0.00002typ
Supply	±15VDC/15mA	±15VDC/20mA
Analog output	0.001V/gram/cc	
Resolution	Infinite	
Display resolution	0.001	0.0001
Sensor dimension	1.2" diam., 2" long	1.375" diam., 2.5" long
Sensor material	#303 stainless steel	
Float dimension	1.55" diam., 1" long	
Float material	#304 stainless steel	
Board dimension (in)	3" x 2.8"	4" x 3"

OPTIONS:

- ❖ 4 to 20 mA or frequency output.
- ❖ Adjustable set – points.
- ❖ Temperature compensation, measurement and readout.
- ❖ Battery operation.
- ❖ Line operation.

Rev. B

© Instruments & Control Inc., 2003

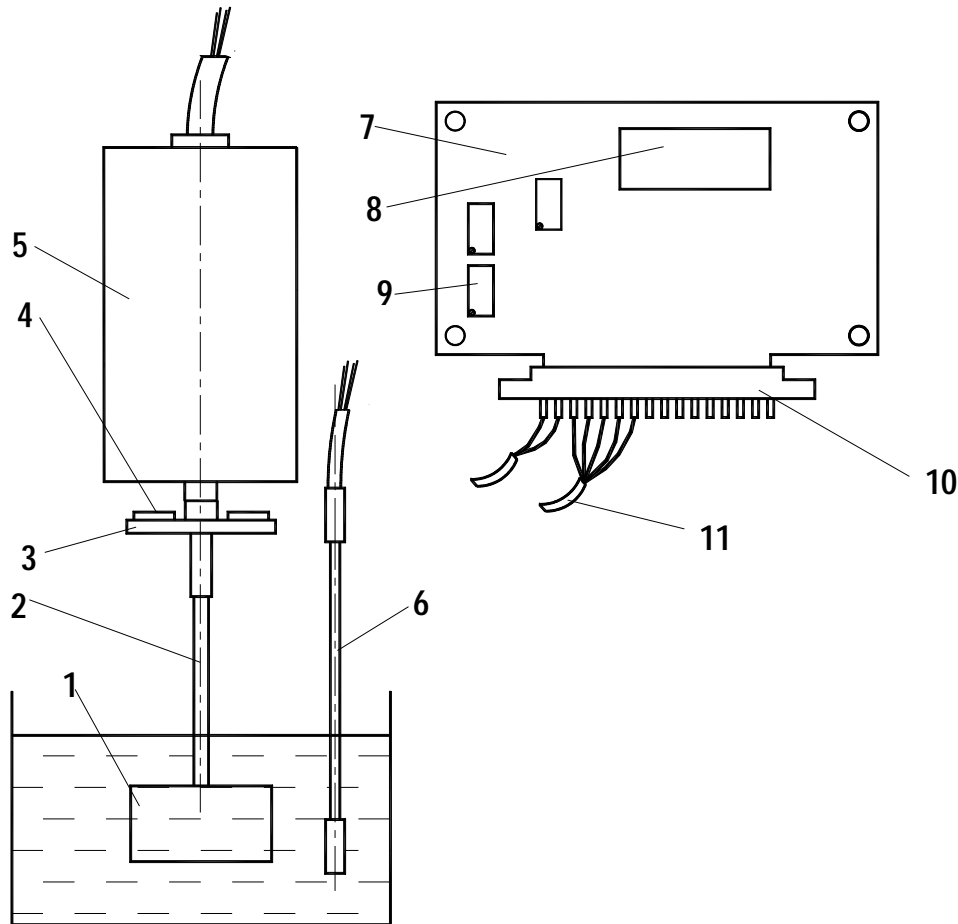
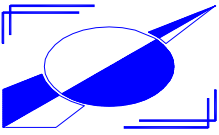
WWW.SINGER-INSTRUMENTS.COM

Information furnished by Instruments & Control is believed to be accurate and reliable. However, no responsibility is assumed by Instruments & Control for its use, nor for any infringements of patents or other rights of third parties which may result from its use. No license is granted by implication or otherwise under any patent or patent rights of Instruments & Control Inc.

Instruments & Control Inc.

540 East Main St., Branford, CT 06405, USA
fred@singer-instruments.com

Tel: 203-481-7278
Fax: 203-488-7190



- 1 - Float
- 2 - Connecting rod
- 3 - Fume deflector / weight support
- 4 - Calibration weight
- 5 - Force transducer
- 6 - Temperature sensor
- 7 - Signal conditioner board
- 8 - Display
- 9 - Adjustment trimmer
- 10 - Connector
- 11 - Interconnection cable